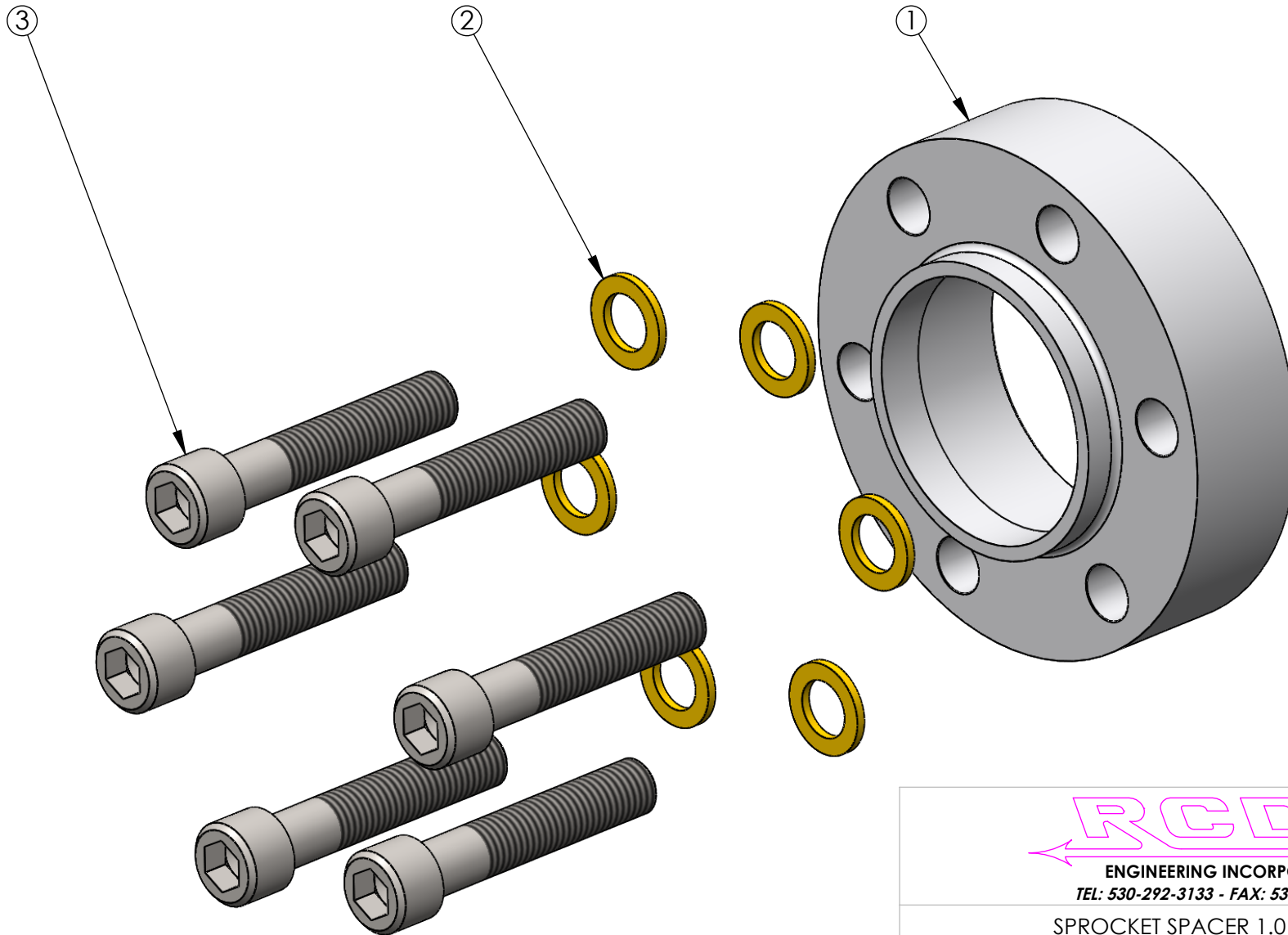


ITEM	PART NO.	DESCRIPTION	QTY.
1	151703-14	SPROCKET SPACER .875	1
2	352503-06	3/8 AN WASHER	6
3	357337-32	SHCS 3/8-24 X 2.0	6



ENGINEERING INCORPORATED
 TEL: 530-292-3133 - FAX: 530-292-3738

SPROCKET SPACER 1.0 W-BOLTS